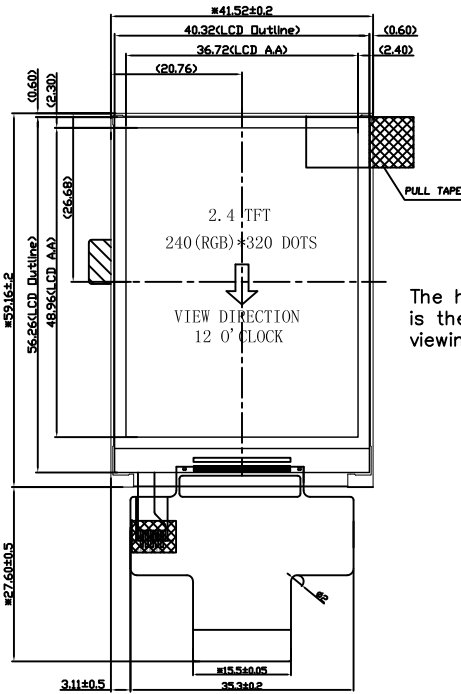
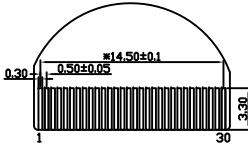
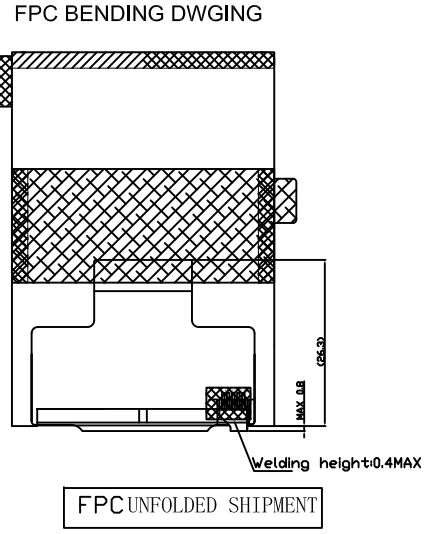
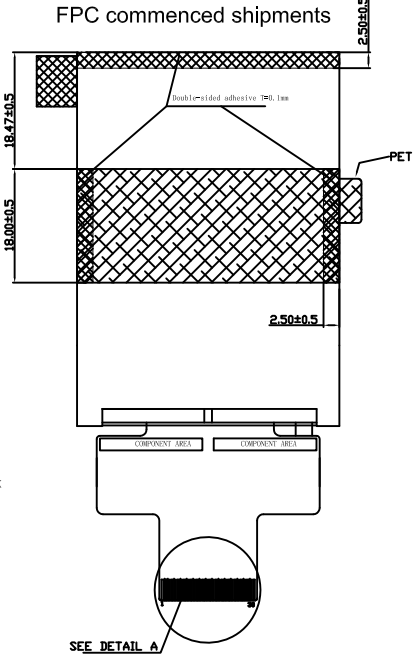


PIN NO.	DEFINATION
1	GND
2	VCI
3	DNC_SCL
4	NCS
5	NRESET
6	NRD
7	NWR_SCL
8	IM2
9	IM1
10	IM0
11	SDA
12	GND
13	DB7
14	DB6
15	DB5
16	DB4
17	DB3
18	DB2
19	DB1
20	DB0
21	TE
22	GND
23	IDVCC
24	IFSEL
25	GND
26	A
27	K1
28	K2
29	K3
30	K4

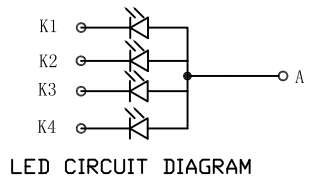


The human eye is the best viewing direction

THE HUMAN EYE



DETAIL A 2:1



NOTE:
 1. GENERAL TOLERANCE: ± 0.2 .
 2. (...) IS REFERENCE DIMENSION.
 3. * CRITICAL DIMENSION
 4. COMPLYABLY RoHS.

	Display Type	a-Si TFT, TRANSMISSIVE
Pane	Viewing Angle	12 O'Clock (Peak CR); 6 O'Clock good view
	Driver IC	ST7789V
LCM	Interface	Serial/8080 MCU 8 bits parallel
	Operating Voltage	VCI=2.8V IDVCC=1.8V
	Luminance	255(MIN), 300(TYP)
	Center coordinate	TBD
	Backlight	WHITE(3.2V, 60mA/Parallel)
	Connector type	3-1734839-0 Iyco Electronics
	Operation Temp.	-20°C TO 70°C
	Storage Temp.	-30°C TO 80°C

VER.	SYMBOL	AMENDMENT	SIGN	DATE	DRAWN	2013.04.06	TITLE	DRAWING NO.			
01		First issue(modify lcd&IC)	HW	2013.04.06	CHECKED		MODULE SPEC.	STR-TF7100BDT024			
					APPROVED			UNIT	mm	SCALE	FIT
								3rd Angle		SHEET 1 OF 1	
					CUSTOMER'S APPROVAL		TRUEVISION TECHNOLOGIES LTD				