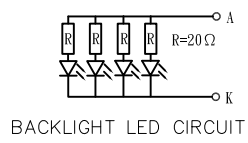
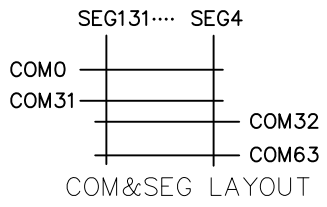
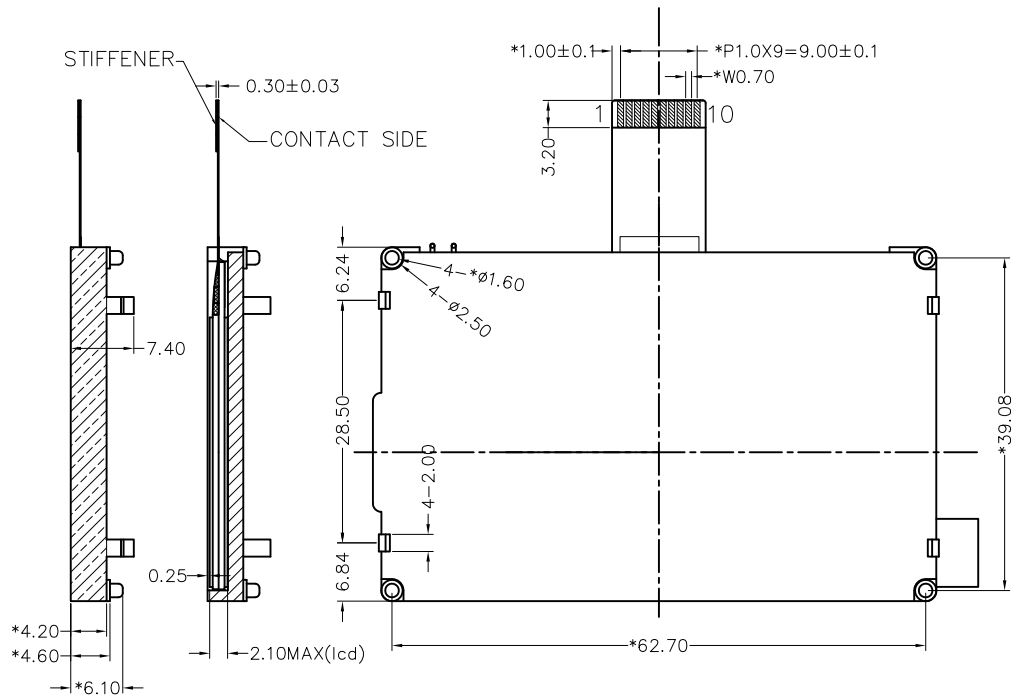
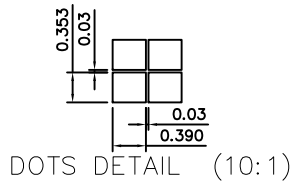


- NOTE:
- 1, GENERAL TOLERANCE: ± 0.2 .
 - 2, (...) IS REFERENCE DIMENSION.
 - 3, COMPLY ROHS.
 - 4, * CRITICAL DIMENSION.



PIN ASS.

NO.	SIGNAL
1	VG
2	XV0
3	V0
4	VSS
5	VDD
6	SDA
7	SCLK
8	AO
9	RSTB
10	CSB

Display Type	FSTN
	POSITIVE
	TRANSFLECTIVE
Operating Method	1/65 DUTY, 1/9 BIAS
Viewing Angle	6 O'CLOCK
LCD Driver IC	ST7567
Operating Voltage	VDD=3.0V VLCD=9.0V
Operation Temperature	-20°C TO 70°C
Storage Temperature	-30°C TO 80°C
Interface	Serial 4-Line SPI
Backlight	WHITE (3.5V, 60mA)

VER.	SYMBOL	AMENDMENT	SIGN	DATE	CUSTOMER'S APPROVAL	DRAWN	CL	TITLE	DRAWING NO.			
01		First issue		09.7.24				MODULE SPEC.	STR-TG0847A			
									UNIT	mm	SCALE	FIT
									3rd Angle		SHEET	1 OF 1
									TRUEVISION TECHNOLOGIES LTD.			