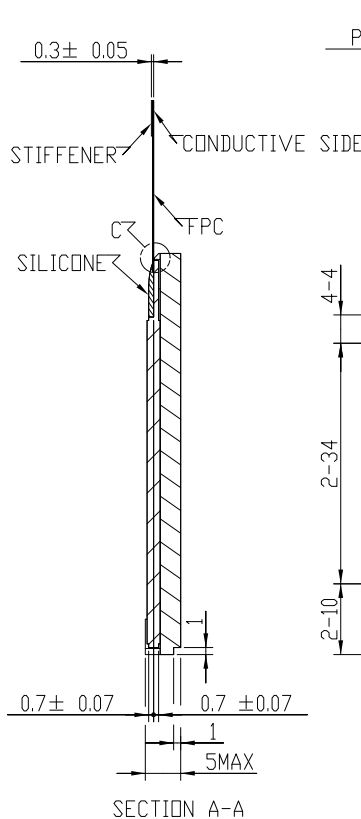
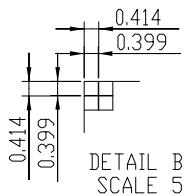
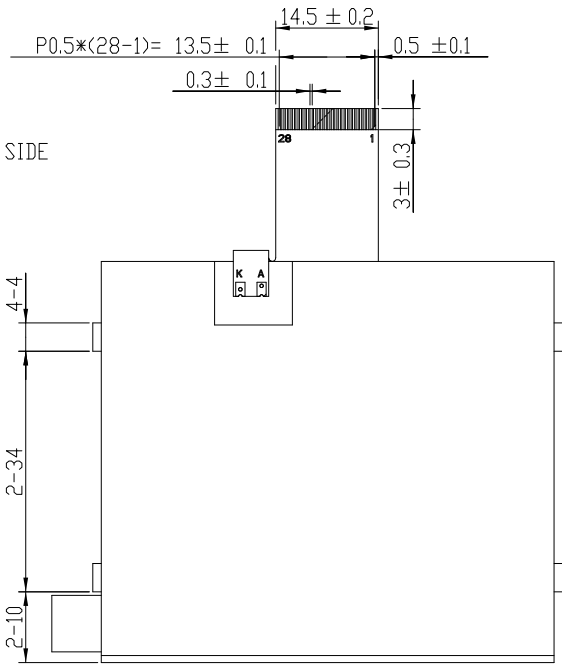


DETAIL C
SCALE 5



SECTION A-A



BACKLIGHT CIRCUIT



- NOTES:
1. GENERAL TOLERANCE: ± 0.2 .
 2. (...) IS REFERENCE DIMENSION.
 3. * CRITICAL DIMENSION
 4. RoHS COMPLIANT.

PIN	SYMBOL
1	D0
2	D1
3	D2
4	D3
5	D4
6	D5
7	D6
8	D7
9	RST
10	CS0
11	CD
12	WR0
13	WR1
14	TEST4
15	BM0
16	BM1
17	VSS
18	VDD
19	VB0+
20	VB1+
21	VB1-
22	VB0-
23	VLCD
24	NC
25	K
26	NC
27	A
28	NC

Display Type	FSTN POSITIVE TRANSFLECTIVE
Front Polarizer	
Operating Method	1/96 DUTY,1/10 BIAS
Viewing Angle	6 O'CLOCK
LCD Driver IC	UC1617S
Operating Voltage	VDD=3.0V
Operation Temperature	0°C TO 45°C
Storage Temperature	-20°C TO 70°C
High Temperature/Humidity Storage	50°C 90%RH0 72Hr-S
Interface	
Backlight	WHITE (10V/15mA)

					DRAWN	DX 11.03.03	TITLE	DRAWING NO.			
					EE.CHECKED	ZY 11.03.03	MODULE SPEC.	STR-TG3071			
					ME.CHECKED	DX 11.03.03		UNIT	mm	SCALE	FIT
					APPROVED	H 11.03.03		3rd Angle		SHEET 1 OF	1
01		initial issue			DRAWN	DX 11.01.12	BOM NO.:	TRUEVISION TECHNOLOGIES LTD.			
VER.	SYMBOL	AMENDMENT			SIGN	DATE	CUSTOMER'S APPROVAL				