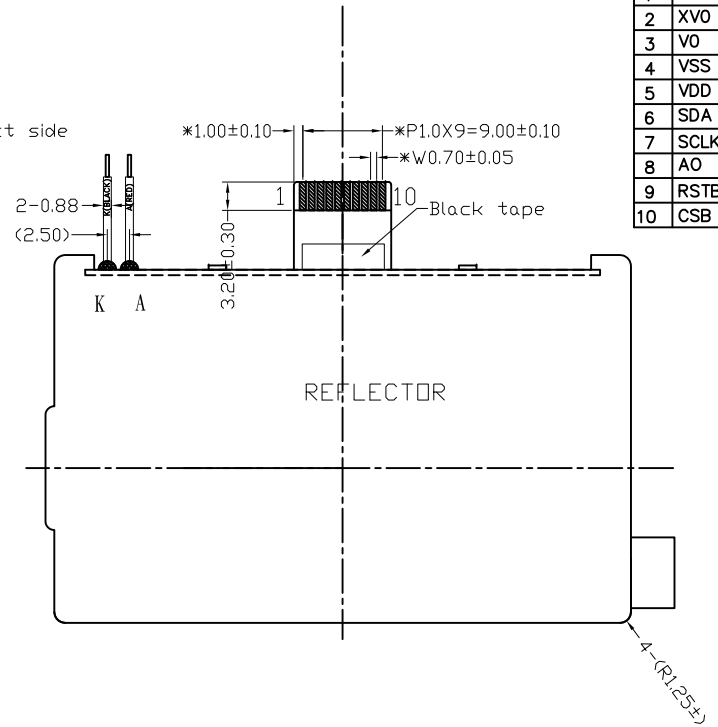
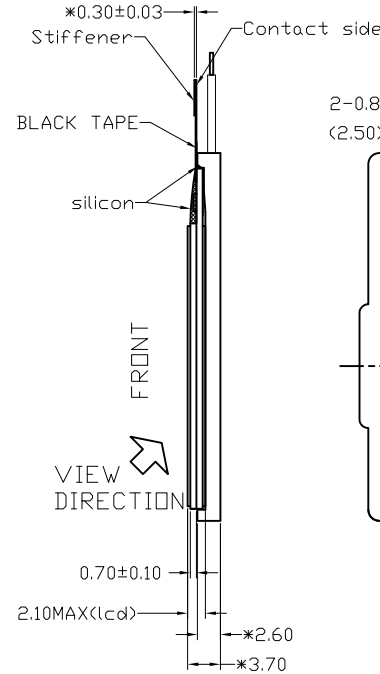
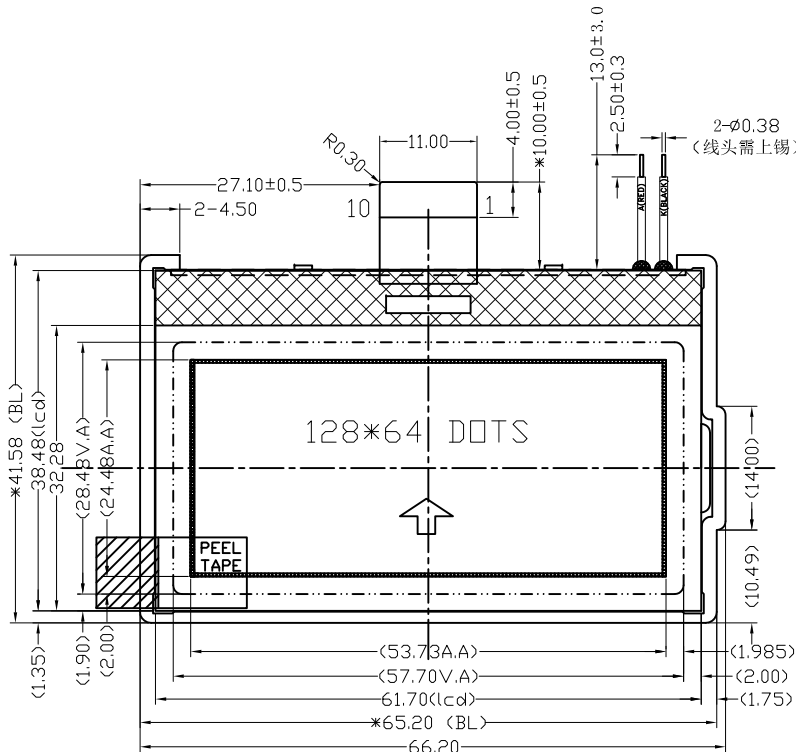


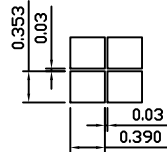
PIN ASS.

NO.	SIGNAL
1	VG
2	XVO
3	V0
4	VSS
5	VDD
6	SDA
7	SCLK
8	AO
9	RSTB
10	CSB

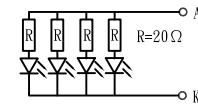
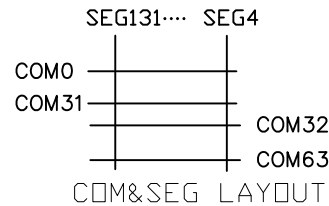


NOTE:

1. GENERAL TOLERANCE: ±0.20.
2. (...) IS REFERENCE DIMENSION.
3. COMPLY ROHS.
4. \* CRITICAL DIMENSION.



DOTS DETAIL (10:1)



BACKLIGHT LED CIRCUIT

Display Type	FSTN
	POSITIVE
	TRANSFLECTIVE
Operating Method	1/65 DUTY, 1/9 BIAS
Viewing Angle	6 O'CLOCK
LCD Driver IC	ST7567
Operating Voltage	VDD=3.0V V <sub>LCD</sub> =9.0V
Operation Temperature	-20°C TO 70°C
Storage Temperature	-30°C TO 80°C
Interface	Serial 4-Line SPI
Backlight	WHITE (if 60mA, 3.1~3.6V)

VER.	SYMBOL	AMENDMENT	SIGN	DATE	CUSTOMER'S APPROVAL	DRAWN	SSG	TITLE	DRAWING NO.			
01		First Issue	SSG	13.07.24		EE.CHECKED	JLF	MODULE SPEC.	STR-TG9162A-1			
						ME.CHECKED	HJB	BOM No:BM130724-01A	UNIT	mm	SCALE	FIT
						APPROVED	HP		3rd Angle			SHEET 1 OF 1
								TRUEVISION TECHNOLOGIES LTD.				