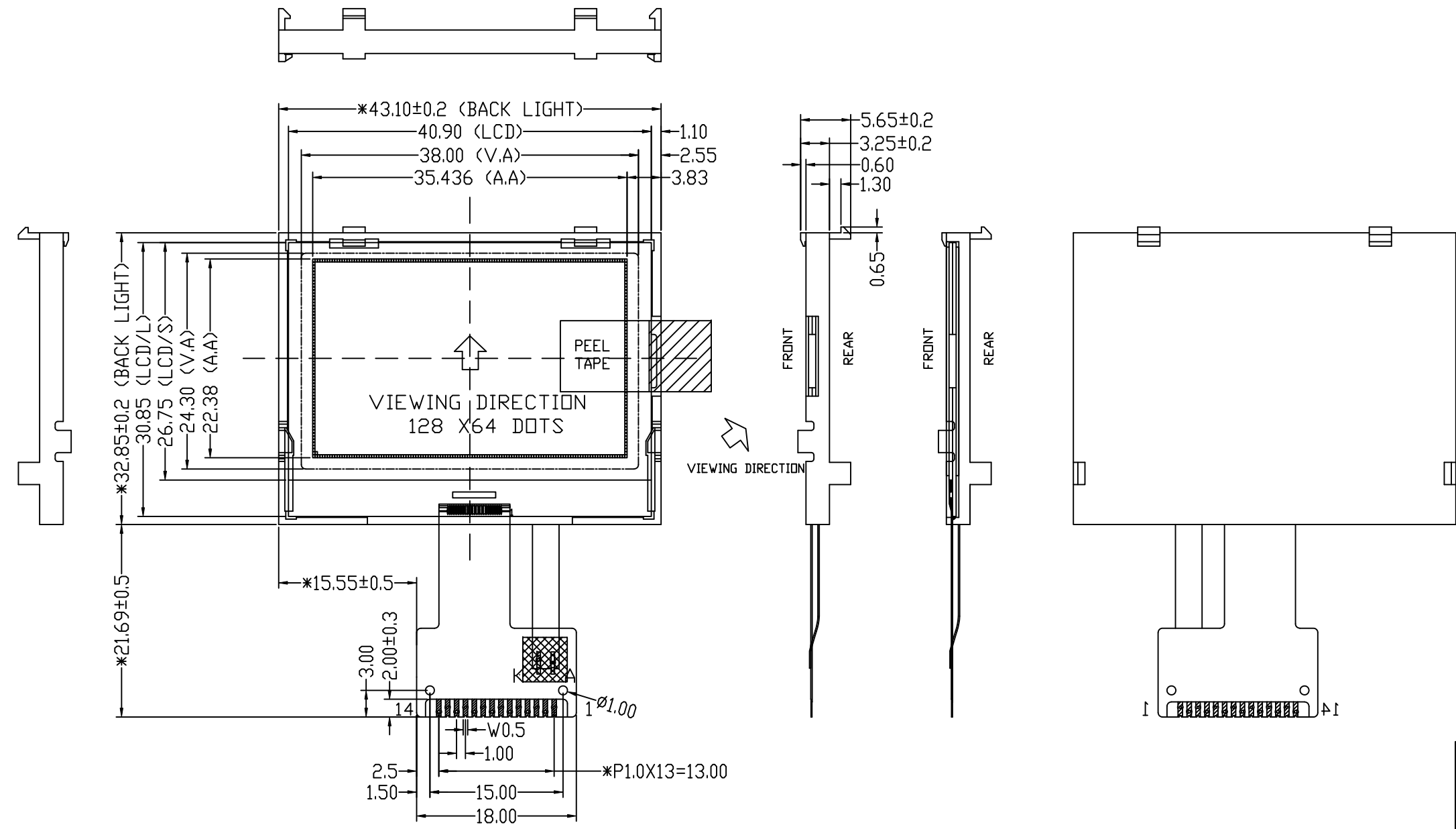
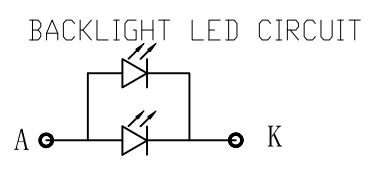
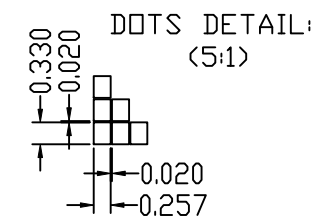


PIN ASSIGNMENT

NO.	SIGNAL
1	LED_K
2	LED-A
3	GND
4	CSB
5	RESET
6	A0
7	SCL
8	SDA
9	VDD
10	VSS
11	V0
12	XV0
13	VG
14	GND



- NOTE:
1. GENERAL TOLERANCE: ±0.2.
  2. (...) IS REFERENCE DIMENSION.
  3. \* CRITICAL DIMENSION
  4. COMPLYABLY RoHS.



Display Type	FSTN
	POSITIVE
	TRANSMISSIVE
Front Polarizer	
Operating Method	1/65 DUTY,1/9 BIAS
Viewing Angle	6 O'CLOCK
LCD Driver IC	ST7567
Operating Voltage	Vdd=2.8V
Driver Voltage	VLCD=9.0V
Operation Temperature	-20°C TO 70°C
Storage Temperature	-30°C TO 80°C
Interface	SERIAL, 4-SPI
Backlight	WHITE(3.2V TAPE, 30mA)

VER.	SYMBOL	AMENDMENT	SIGN	DATE	CUSTOMER'S APPROVAL	TITLE	DRAWING NO.	UNIT	mm	SCALE	FIT
01		first issue	WKL	14.09.09		MODULE SPEC.	STR-TG9338	3rd Angle	⊕	SHEET 1 OF 1	
						BOM NO.:BM140829-05A					
						TRUEVISION TECHNOLOGIES LTD.					